



Tetra Pak® Plate Heat Exchanger H8

Gasketed plate heat exchanger for hygienic applications



Introduction

Tetra Pak® Plate Heat Exchanger H8 is a range of premium heat exchangers specifically developed for dairy, beverage and other industries where hygiene standards must not be compromised. The optimal flow distribution ensures superior cleanability and long operating times. Our special plate pattern provides gentle treatment of delicate products. Several innovative design features of both plate and gasket enable safe food production.

Benefits

Superior hygienic standards – plates designed with food safety as top priority.

- Gentle treatment of sensitive products
- Uncompromising cleanliness
- Superior distribution for long running hours
- Gives a plate package with perfect match between the plates
- Flexible configuration – possible to rebuild the heat exchanger

Applications

- Food and beverage
- Dairy

Features

Every detail is carefully designed to ensure the highest hygienic standards, gentle product treatment and efficient cleaning. Selection of available features, depending on configuration some features may not be applicable.

- CurveFlow™ distribution area*
- Smooth port
- ClipGrip™ gasket attachment*
- Hygienic leak chamber
- SteerLock™ plate alignment*
- Interchangeable corners
- Hygienic adjustable feet
- EquiFlow™*
- CleanChannel™*

*Trademarks belongs to Alfa Laval

General remarks for technical information

- The global offering presented in this leaflet may not be available for all regions
- All combinations may not be configurable

Technical data

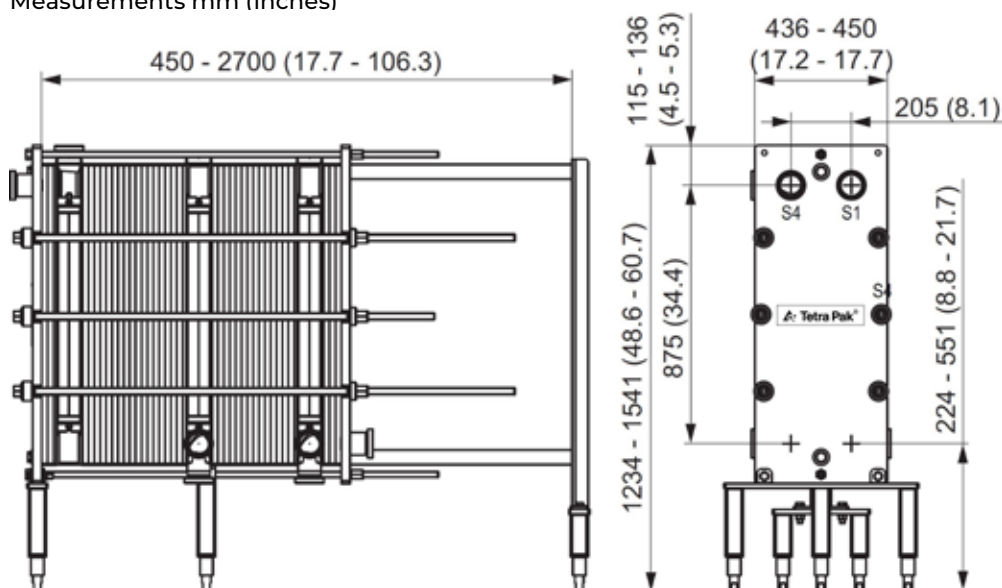
Plates	p
Type	Single plate
Free channel	3.00 mm (0.12 inches)
Materials	
Heat transfer plates	Alloy 316, Titanium
Field gaskets	NBR, EPDM
Frame and pressure plate	Solid stainless steel or cladded stainless steel

Other materials may be available on request.

The plate heat exchanger is manufactured according to 3A certification. The gaskets are produced in compliance with the regulations of FDA and China GB.

Dimensional drawing

Measurements mm (inches)



Operational data

Frame type	SM, PED	SG, PED
Max. design pressure	10.0 barg / 145 psig	16.0 barg / 232 psig
Max. design temperature	160 °C / 320 °F	160 °C / 320 °F

Extended pressure and temperature rating may be available on request.

Connections

Clamp, SMS, DIN (unions and flanges), BS/RJT, and IDF/ISO.